

By utilizing the latest technology and digital communications, BROADTEQ's Air to Electric Converter has created a new standard in air gauging accuracy. With realtime calibration and diagnostics, the AEC is able to increase accuracy as well as ease of use.

The first and only Air to Electric Converter that is 100% digital and speaks "Orbit®"!

Connect directly to any Solartron Orbit® network or Solartron Orbit® enabled Gage Chek without additional hardware.

The BROADTEQ AEC is designed for the shop floor environment. Sealed to IP65 standards allows it to be mounted in the open without the need for a secondary enclosure. The AEC can even be mounted directly in the machining environment such as transfer lines and machining centers.



SPECIFICATIONS

Communication Output	Solartron Orbit®
Data Speed	187.5 k, 1.5 m
Main Air Supply	30 PSI or 60 PSI
Operating Voltage	4.5 – 40 VDC
Current Consumption	30 ma
Mastering	Min - Max Required
Gauge connection	Front or Rear
Mounting	Top or Bottom, Din Rail
Enclosure	6061-T6 Aluminum
Size	1 x 3.5 x 4, Inches
Sealing	IP65

CONTACT INFORMATION

BROADTEQ
PO Box 304
Genesee, MI 48437

Sales

Jerry Seymour
jerry.seymour@broadteq.com
(248) 794-9323

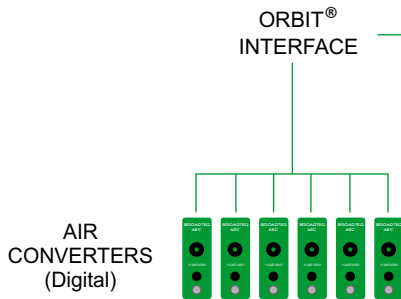
Technical

Jeff Van Camp
jeff.vancamp@broadteq.com
(810) 701-0830

BROADTEQ - SPECIALIZING IN ORBIT CONNECTED SOLUTIONS

EXAMPLE USING 6 AIR TO ELECTRIC CONVERTERS

BROADTEQ SOLUTION



Reduced hardware components

Reduced cabling

Single data cable to PC
(All converters jumper together)

No analog conversion, 100% digital

Visual status LED on each converter

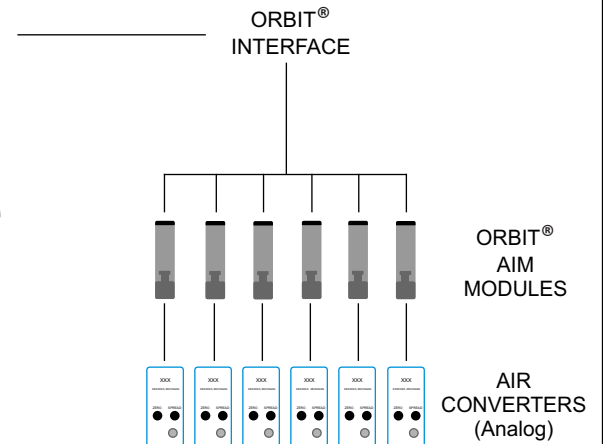
One-touch push button unique id addressing

Operates on 30 PSI or 60 PSI

Operating voltage 4.5 - 40 VDC

Current consumption of 30ma per module

COMPETITORS SOLUTION



Requires a separate Solartron Orbit® Analog Input Module for each air converter connected

Separate connecting cable for each converter

No status of converter operation

Each unique id has to be manually entered

Power is dependent solely on the AIM module

Power fluctuations can cause reading discrepancies

BROADTEQ - SPECIALIZING IN ORBIT CONNECTED SOLUTIONS